

# Sharpak Procedure Trays

Sharpak Procedure Trays have been specifically designed for use with the Sharpak Compact, 18 & 35 PLUS sharps containers.

These practical devices provide clinical staff the means of safe handling and disposal of sharps when dealing with patients at the bedside, ensuring safe transportation of used sharps from the point of use, encouraging staff to adopt good practice.

The Sharpak range of Procedure Trays incorporate the following features:

---

STEAM STERILISABLE UP TO 134°C

---

DISTINCTIVE COLOUR ENSURES STAFF HAVE CONTINUED AWARENESS OF SHARPS HAZARD

---

LARGE TRAY AREA CAPABLE OF HOLDING THE NECESSARY MATERIALS REQUIRED TO CARRY OUT THE PROCEDURE

---

DEEP SIDES REDUCE THE RISK OF SPILLAGE

---

LOW UNIT COST

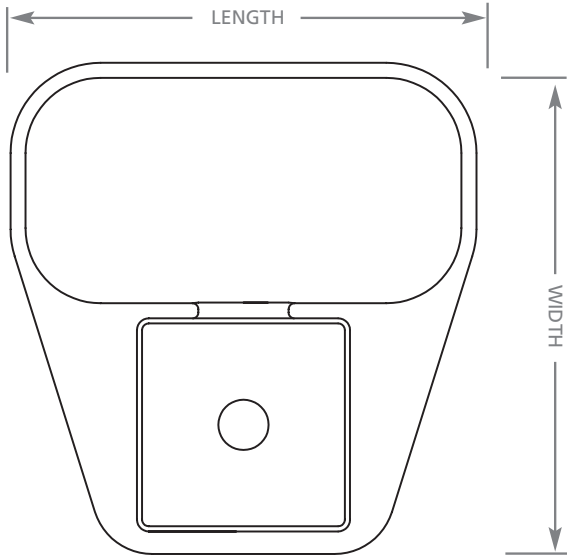


Patented and trademarked by Nolato.

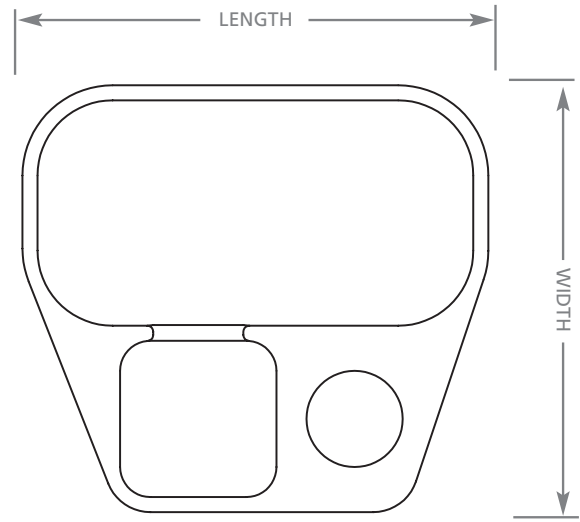




PRODUCT	CODE	QTY	LENGTH	WIDTH	DEPTH
Shaped tray for 18 PLUS & COMPACT	SU06211	5	310mm	325mm	60mm
Shaped tray for 35 PLUS	SU03501	5	308mm	208mm	50mm



SHAPED TRAY FOR 35 PLUS



SHAPED TRAY FOR 18 PLUS & COMPACT